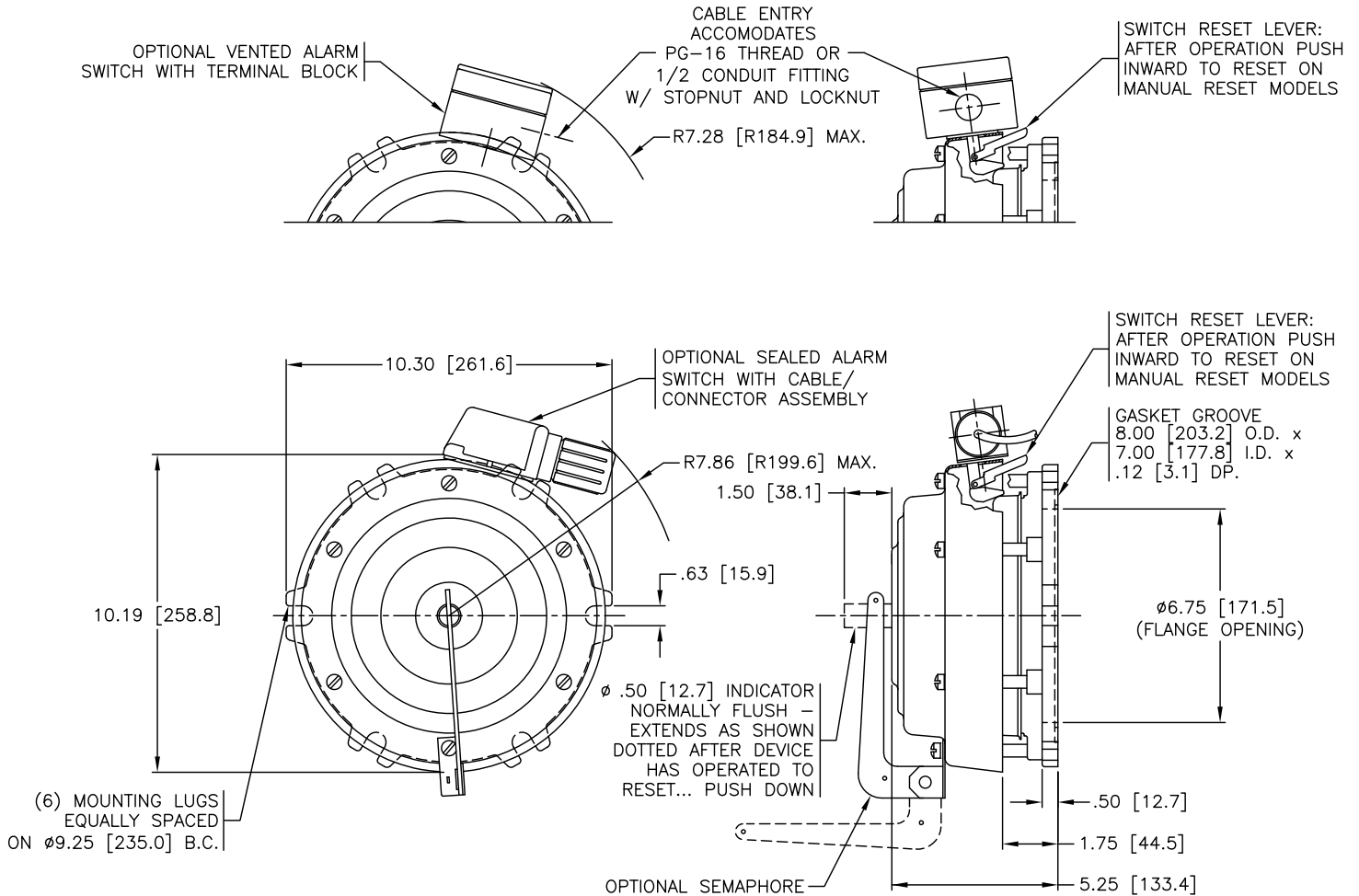


**Product Information**  
**Large Pressure Relief Device**  
**General**

© Qualitrol is an ISO 9001 system certified company.  
 Information subject to change without notice.



NOTES: (UNLESS OTHERWISE SPECIFIED)

1. DIMENSIONS ARE FOR REFERENCE AND SHOWN IN INCHES (MILLIMETERS).
2. OPERATING PRESSURE, GASKET MATERIAL, AND SWITCH OPTIONS ARE SPECIFIED ON ORDER.
3. STANDARD FINISH: ASA #70 LT GRAY.
4. OPERATING PRESSURE TOLERANCES: ±1 PSI FOR 4-14 PSI/0.28-0.97 BAR  
 ±2 PSI FOR 15-20 PSI/1.03-1.38 BAR.

# Product Information

## Large Pressure Relief Device

### Option Sheet

© Qualitrol is an ISO 9001 system certified company.  
Information subject to change without notice.



#### Specify

- LPRD only
- Alarm Switch only
- Both

#### Environment

- Outdoors (Std.)
- Corrosive

#### Semaphore

- None (Std.)
- Yellow - Polycarbonate
- Yellow - Aluminum

#### Operating Pressure Psi / Bar

- |                                     |                                      |                                      |
|-------------------------------------|--------------------------------------|--------------------------------------|
| <input type="checkbox"/> 4.0 / 0.28 | <input type="checkbox"/> 8.0 / 0.55  | <input type="checkbox"/> 14.0 / 0.97 |
| <input type="checkbox"/> 5.0 / 0.34 | <input type="checkbox"/> 10.0 / 0.69 | <input type="checkbox"/> 15.0 / 1.03 |
| <input type="checkbox"/> 6.0 / 0.41 | <input type="checkbox"/> 12.0 / 0.83 | <input type="checkbox"/> 17.0 / 1.17 |
| <input type="checkbox"/> 7.0 / 0.48 | <input type="checkbox"/> 13.0 / 0.90 | <input type="checkbox"/> 20.0 / 1.38 |

#### Transformer Fluid Types

- Mineral Oil
- Askarel
- Silicone
- Pyranol

#### Standard Indicator Colors

- Yellow
- Red
- Blue
- Blue

#### Standard Gasket Materials

- Nitrile
- Silicone/Viton
- Viton
- Viton

#### Gasket Retention

- Epoxy for 4-14 Psi / 0.28-0.97 Bar
- Mechanical for 15-20 Psi / 1.03-1.38 Bar (Std.)

#### Special Packaging

- None
- International - Air
- International - Sea

#### 2nd Switch

- (identical to switch 1 only)
- No (Std.)
  - Yes

#### Switch Type

(sealed version shown, free breathing terminal box available)

<input type="checkbox"/> SPDT (Std.)	10 Amp @ 125/250 VAC (Std.)
<input type="checkbox"/> SPDT - Hi DC	10 Amp @ 125 VDC
<input type="checkbox"/> SPDT - Hi-Pot	10 Amp @ 125/250 VAC, 2.5 kV Hi-Pot
<input type="checkbox"/> SPDT - Gold	0.10 Amp @ 125 VAC
<input type="checkbox"/> DPDT	10 Amp @ 125/250 VAC

#### Switch Action

- Latching (Std.) (Man. Reset)
- Momentary (Auto-Reset)

#### Connection Styles

(refer to device wiring & connector styles)

- Qualitrol (detachable)
- ANSI (detachable)
- Perm. Attached (SPDT only)
- Terminal Box (Free Breathing)

#### Device Wiring

(refer to device wiring & connector styles)

--	--	--	--

#### Connector Nut Style

(refer to device wiring & connector styles)

--

#### Optional Label

- No (Std.)
- Yes

#### External Wiring

(refer to device wiring & connector styles)

<input type="checkbox"/> Cable	<input type="checkbox"/> 16 Ga. SOW-A/SO (Std.)
	<input type="checkbox"/> Other (consult factory)
<input type="checkbox"/> Flying Leads	<input type="checkbox"/> 16 Ga. TEW (Std.)
	<input type="checkbox"/> 16 Ga. TEF
	<input type="checkbox"/> 14 Ga. TEW
<input type="checkbox"/> None	
<input type="checkbox"/> Connector Parts Only	

#### Bleed Screw

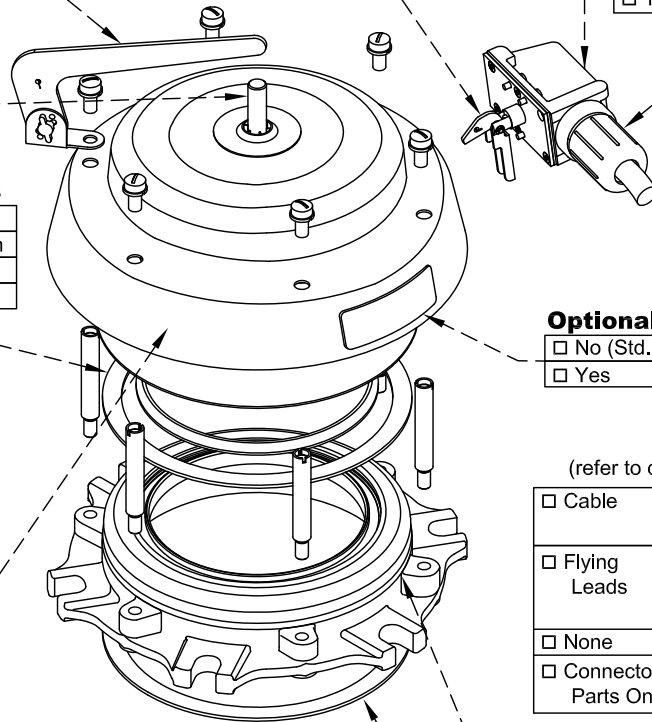
- No (Std.)
- Yes

#### Mounting Gasket

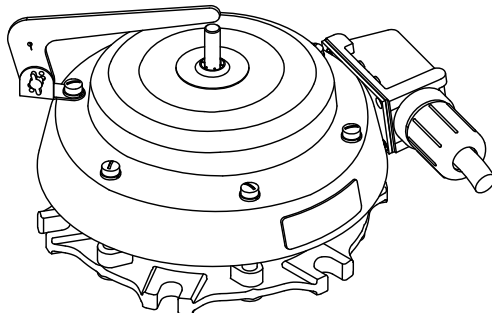
- None supplied (Std.)
- One supplied
- Two supplied

#### Length of Cable or Flying Leads

<input type="checkbox"/> Inches	<input type="checkbox"/> Meters
Specify 6" increments	Can be specified to 0.1 m
Length	



Partly Exploded View Of Large Pressure Relief Device



Large Pressure Relief Device Assembled

# Product Information

## Large Pressure Relief Device

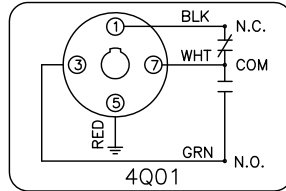
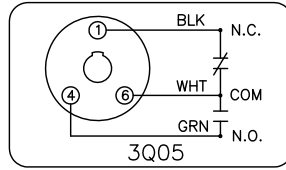
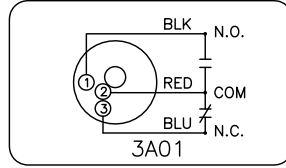
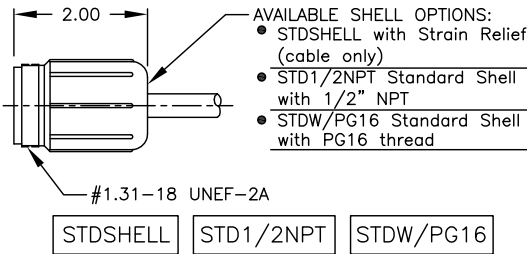
### Device Wiring & Connector Styles

© Qualitrol is an ISO 9001 system certified company.  
Information subject to change without notice.

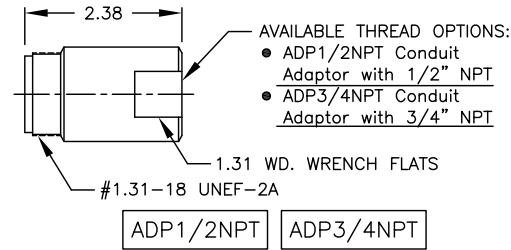


#### CONNECTOR NUT STYLES AND DEVICE WIRING FOR QUALITROL AND ANSI DETACHABLE CONNECTORS

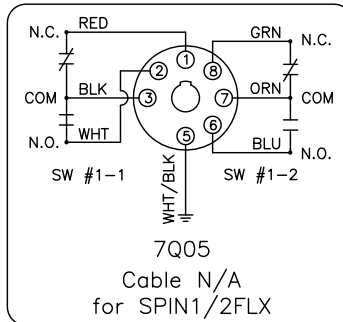
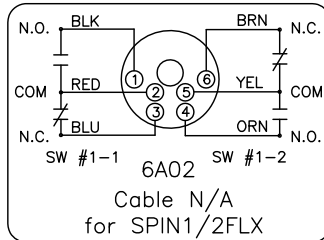
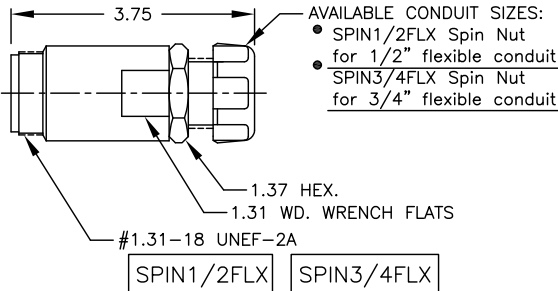
##### STANDARD NUT



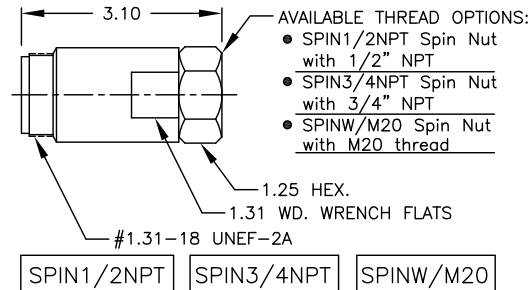
##### CONDUIT ADAPTOR



##### SPIN NUT (FLEX CONDUIT ADAPTOR)

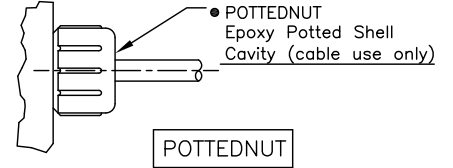


##### SPIN NUT (CONDUIT ADAPTOR)

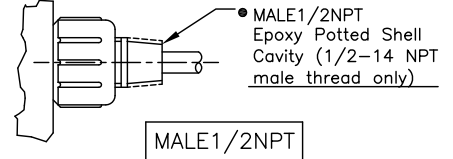


#### CONNECTOR NUT STYLES AND DEVICE WIRING FOR PERMANENTLY ATTACHED CABLES AND WIRES

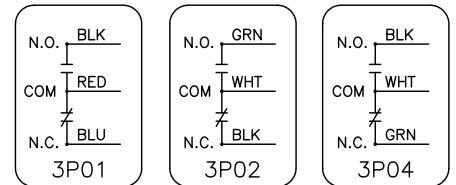
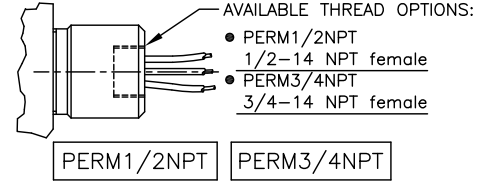
##### POTTED CABLE CONNECTION



##### MALE CONDUIT CONNECTION

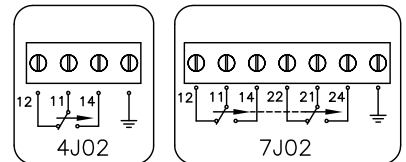
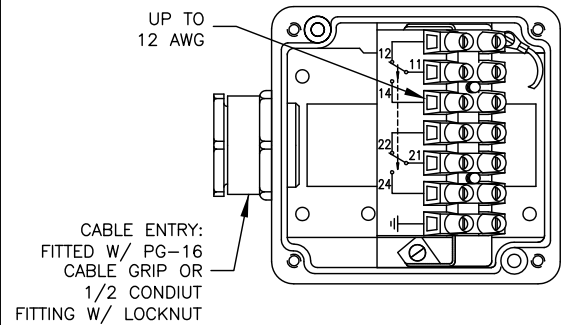


##### FEMALE CONDUIT CONNECTION



#### DEVICE WIRING FOR TERMINAL BOX

##### TERMINAL BOX: 1 & 2 SWITCH W/ GROUND (2 SWITCH VERSION SHOWN)



ALL WIRING SHOWN AS VIEWED FROM OUTSIDE OF ENCLOSURE. ALL SWITCH FUNCTIONS SHOWN IN NON-ALARM STATE.  
STD. CABLE IS 16 GA. TYPE SOW-A/SO. STD. FLYING LEADS ARE 16 GA. TYPE TEW.